

# New Generation of Buttwelding Type gate Valve

## • 换代型对焊式闸阀

SGZ61H-16, 25, 40, 64, 100P, R, C, I, V

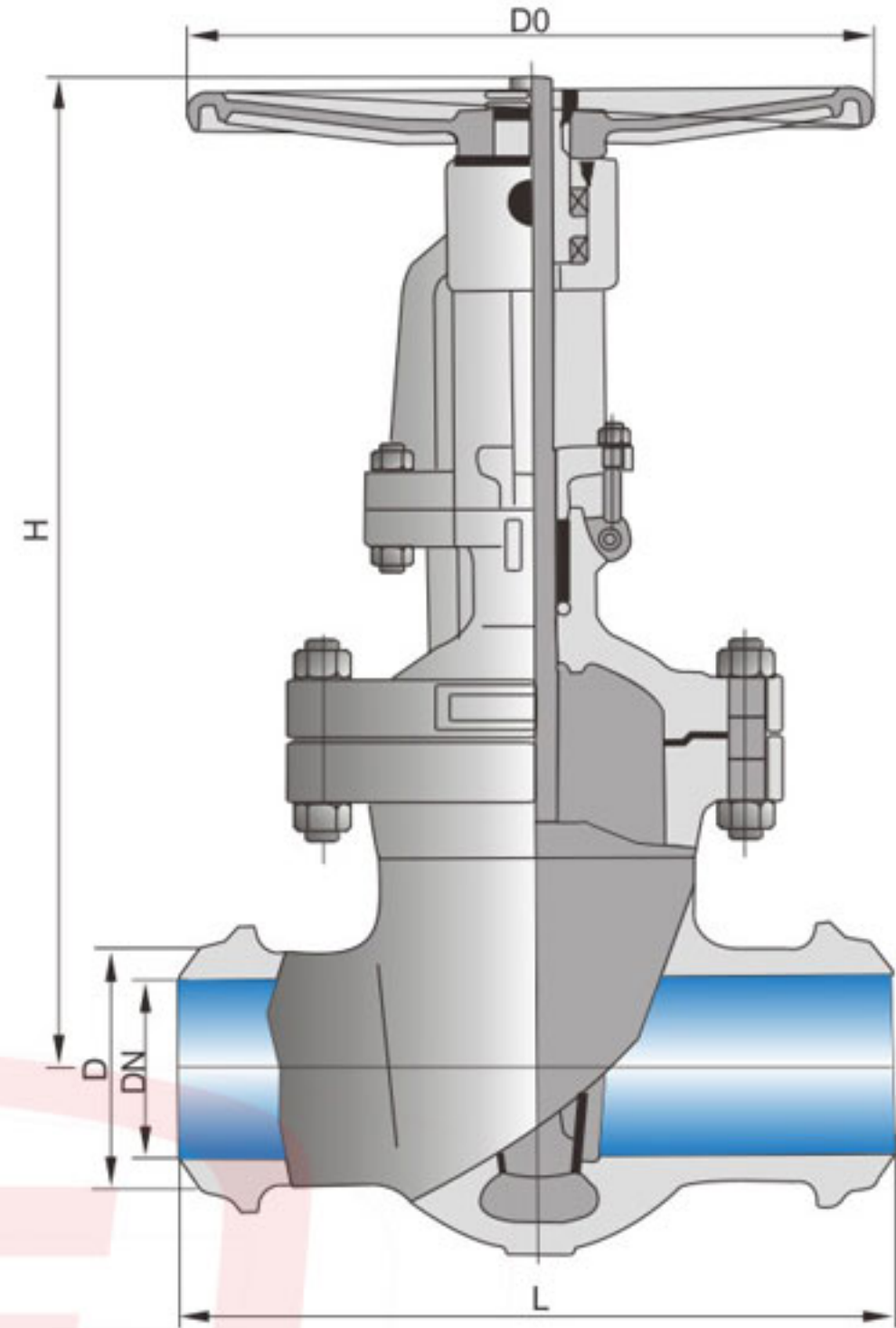
### 说明 Description

SGZ61H系列闸阀为我厂在广泛调研基础上，应广大用户要求自主开发而成的具有独立知识产权产品。可广泛替代原Z41H系列闸阀。具有启闭迅捷、密封可靠、寿命长、重量轻、铸件工艺性好以及安装不需法兰、管件、垫片，并减少两个泄漏点等一系列优点，可最大限度地满足各类用户的节能降耗、降本增盈及环保要求。

SGJ61H series gate valves are independently developed products with own intellectual property by the request of numerous users on the basis of extensive investigation and research conducted by our factory. They can be substitutes for original J41H series gate valves. A series of excellent features include quick startup-shutoff, reliable seal, long service lifetime, light weight, good processing property of cast parts, installation without the need of flange, pipe fittings, gaskets as well as reduction of two leakage points. The requests of energy-saving, consumption reduction, cost reduction, profits increase and environment protection by all types of users can be satisfied to the utmost extent.

### 试验压力 Test Pressure

压力(MPa) pressure	试验压力(MPa) test pressure	
	强度 strength	密封 sealing
1.6	2.4	1.76
2.5	3.8	2.75
4.0	6	4.4
6.4	9.6	7.4
10	15	11



### 壳体材料 Shell Material

代号 Code	C	P		R		V(I)	
材料 material	25或WCB 25 or WCB	CF8 304	CF3 304L	CF8M 316	CF3M 316L	WC6	WC9
工作温度(°C) working temp	425°C	200°C		200°C		552°C	593°C
适用介质 Applicable media	水、汽、油品等 Water, steam, oil.	硝酸等腐蚀性介质 HNO <sub>3</sub> and other corrosive media	强氧化性介质 Strong oxidizing medium	醋酸等 acetic acid	尿素等 Urea	水、汽、油品等 Water, steam, oil.	

### 主要外形尺寸和连接尺寸 Main Dimensions And Connection Dimensions

DN	D	L	H	D0	DN	D	L	H	D0	DN	D	L	H	D0
1.6MPa, 2.5MPa					4.0MPa					6.4MPa, 10.0MPa				
50	76	250	355	240	50	79	250	370	280	50	79	250	371	280
65	89	265	378	240	65	90	280	398	280	65	90	280	293	280
80	110	280	430	280	80	110	310	456	320	80	110	310	456	320
100	129	300	500	320	100	135	350	552	360	100	138	350	552	360
125	153	325	580	360	125	164	400	628	400	125	168	400	628	400
150	189	350	650	360	150	190	450	709	400	150	195	450	709	400
200	245	400	736	400	200	248	550	838	400	200	260	550	858	450
250	285	450	818	400	250	290	650	957	450	250	313	650	1015	560
300	350	500	1080	450	300	350	750	1118	500	300	364	750	1330	600
350	410	550	1197	500	350	410	850	1567	500	350	422	850	1589	600
400	460	600	1332	600	400	460	950	1778	500	400	474	950	1778	600
500	570	700	1500		500	570	1150	2050	500	500	576	1150	2050	600